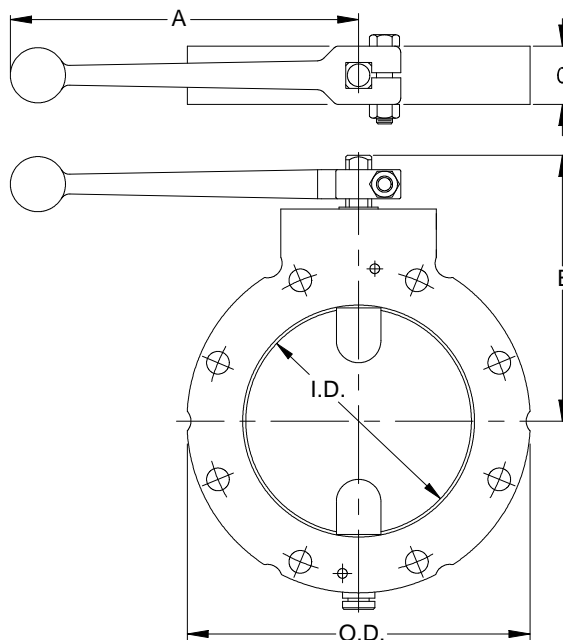


# Wet-R-Dri Valve

TTMA STYLE

**LIGHTWEIGHT**  
**COMPACT**  
**VERSATILE**



Size	Standard Model	Wt.	Detent Model	Wt.	Standard Material		Max. Working Pressure	Temperature Range
	Assembly No.		Assembly No.		Body	Disc		
2"	WD200 AL B	2.4	WD201 AL B	2.4	Aluminum	Buna-N	75 PSI	See Chart Below
	WD200 GI B	4.6	WD201 GI B	4.6	Grey Iron			
3"	WD300 AL B	3.6	WD301 AL B	3.6	Aluminum	Buna-N	75 PSI	
	WD300 GI B	6.9	WD301 GI B	6.9	Grey Iron			
4"	WD400 AL V	4.5	WD401 AL V	4.5	Aluminum	Viton	75 PSI	
	WD400 GI V	8.3	WD401 GI V	8.3	Grey Iron			
5"	WD500 AL V	7.9	WD501 AL V	7.9	Aluminum	Viton	50 PSI	
6"	WD600 AL U	11.8	WD601 AL U	11.8	Aluminum	Urethane	50 PSI	
8"	WD800 AL U	17.3	WD801 AL U	17.3	Aluminum	Urethane	50 PSI	

NOTE: Standard drilling fits TTMA recommended standards.

Valves are available with the following options: Stainless steel liners and shafts, grease fittings installed in the drive and bearing shafts, and "E" Coating of aluminum valves (recommended for aluminum valves used in water service). For repair kit, see Section 20, Page 5B.

Dimensions

Size	A	B	C	I.D.	O.D.	B.C.	Holes
2"	6 <sup>3</sup> / <sub>4</sub>	4 <sup>1</sup> / <sub>4</sub>	1 <sup>1</sup> / <sub>8</sub>	2 <sup>1</sup> / <sub>4</sub>	3 <sup>3</sup> / <sub>4</sub>	3 <sup>3</sup> / <sub>4</sub>	6 <sup>-7</sup> / <sub>16</sub>
3"	6 <sup>3</sup> / <sub>4</sub>	4 <sup>5</sup> / <sub>8</sub>	1 <sup>1</sup> / <sub>8</sub>	3 <sup>3</sup> / <sub>8</sub>	5 <sup>5</sup> / <sub>8</sub>	4 <sup>1</sup> / <sub>8</sub>	8 <sup>-7</sup> / <sub>16</sub>
4"	6 <sup>3</sup> / <sub>4</sub>	5 <sup>1</sup> / <sub>8</sub>	1 <sup>1</sup> / <sub>8</sub>	4 <sup>3</sup> / <sub>8</sub>	6 <sup>5</sup> / <sub>8</sub>	5 <sup>7</sup> / <sub>8</sub>	8 <sup>-7</sup> / <sub>16</sub>
5"	6 <sup>3</sup> / <sub>4</sub>	6 <sup>3</sup> / <sub>8</sub>	2 <sup>1</sup> / <sub>8</sub>	5 <sup>7</sup> / <sub>16</sub>	7 <sup>5</sup> / <sub>8</sub>	7	12 <sup>-7</sup> / <sub>16</sub>
6"	12	7	2 <sup>1</sup> / <sub>8</sub>	6 <sup>1</sup> / <sub>8</sub>	8 <sup>5</sup> / <sub>8</sub>	8 <sup>1</sup> / <sub>8</sub>	12 <sup>-7</sup> / <sub>16</sub>
8"	12	8	2 <sup>1</sup> / <sub>2</sub>	8	10 <sup>7</sup> / <sub>8</sub>	10 <sup>1</sup> / <sub>8</sub>	16 <sup>-7</sup> / <sub>16</sub>

Suffix for Disc Material

Buna-N		Viton	Urethane		EPDM
Black	White		Black	White	
B	WB	V	U	WU	E
-40°F	-40°F	-0°F	-40°F	-40°F	-50°F
+200°F	+200°F	+400°F	+200°F	+200°F	+300°F

NOTE: Temperature ranges based on published information and may vary due to actual operating conditions.

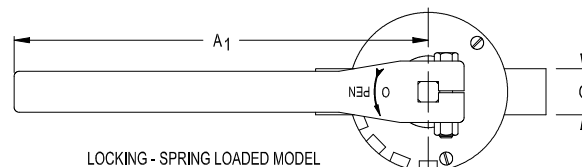
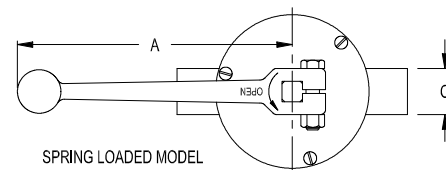
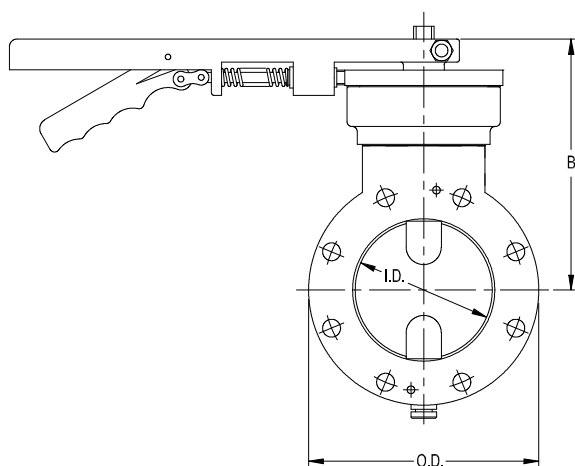
## INSTALLATION:

The Wet-R-Dri Valve may be mounted in any position with handle located for easy operation. Valve, as assembled, opens by turning handle 1/4 turn counter clockwise (right hand operation). If clockwise rotation is desired (left hand operation) please specify. Care should be taken when mounting valve to be sure the I.D. of adjoining flanges or pipe is large enough to allow disc of valve to open freely. We suggest using our accompanying flanges and adapters shown in Section 20, Page 5A.

# Wet-R-Dri VALVE

TTMA STYLE

**LIGHTWEIGHT**  
**COMPACT**  
**VERSATILE**



The Betts Wet-R-Dri Valve is designed for handling liquid, gaseous or dry products, and is available in a variety of sizes and models. This space saving valve is lightweight, easily maintained, and has a positive stop in the open and closed position. Both spring loaded valves provide an immediate and positive shut off. The locking type permits valve to be mechanically held open while the spring loaded type can be used for remote operation or as a dead man valve.

Size	Locking-Spring Loaded	Wt.	Spring Loaded	Wt.	Standard Material		Max. Working Pressure	Temperature Range
	Assembly No.		Assembly No.		Body	Disc		
2"	WD203 AL B	5.5	WD205 AL B	4.4	Aluminum	Buna-N	75 PSI	See Chart Below
	WD203 GI B	7.7	WD205 GI B	6.6	Grey Iron			
3"	WD303 AL B	6.7	WD305 AL B	5.6	Aluminum	Buna-N	75 PSI	
	WD303 GI B	10.0	WD305 GI B	8.9	Grey Iron			
4"	WD403 AL V	7.6	WD405 AL V	6.5	Aluminum	Viton	75 PSI	
	WD403 GI V	11.4	WD405 GI V	10.3	Grey Iron			
5"	WD503 AL V	11.0	WD505 AL V	9.9	Aluminum	Viton	50 PSI	

NOTES: Standard drilling fits TTMA recommended standards.

Valves are available with the following options: Stainless steel liners and shafts, grease fittings installed in the drive and bearing shafts, and "E" Coating of aluminum valves (recommended for aluminum valves used in water service).

For repair kit, see Section 20, Page 5B.

Dimensions

Size	A	A <sub>1</sub>	B	C	I.D.	O.D.	B.C.	Holes
2"	6 <sup>3</sup> / <sub>4</sub>	10 <sup>1</sup> / <sub>8</sub>	6	1 <sup>1</sup> / <sub>8</sub>	2 <sup>1</sup> / <sub>4</sub>	3 <sup>3</sup> / <sub>4</sub>	3 <sup>3</sup> / <sub>4</sub>	6 <sup>-</sup> / <sub>16</sub>
3"	6 <sup>3</sup> / <sub>4</sub>	10 <sup>1</sup> / <sub>8</sub>	6 <sup>1</sup> / <sub>4</sub>	1 <sup>1</sup> / <sub>8</sub>	3 <sup>3</sup> / <sub>8</sub>	5 <sup>5</sup> / <sub>8</sub>	4 <sup>1</sup> / <sub>8</sub>	8 <sup>-</sup> / <sub>16</sub>
4"	6 <sup>3</sup> / <sub>4</sub>	10 <sup>1</sup> / <sub>8</sub>	6 <sup>3</sup> / <sub>4</sub>	1 <sup>1</sup> / <sub>8</sub>	4 <sup>3</sup> / <sub>8</sub>	6 <sup>5</sup> / <sub>8</sub>	5 <sup>1</sup> / <sub>8</sub>	8 <sup>-</sup> / <sub>16</sub>
5"	6 <sup>3</sup> / <sub>4</sub>	10 <sup>1</sup> / <sub>8</sub>	8	2 <sup>1</sup> / <sub>8</sub>	5 <sup>1</sup> / <sub>16</sub>	7 <sup>5</sup> / <sub>8</sub>	7	12 <sup>-</sup> / <sub>16</sub>

Suffix for Disc Material

Buna-N		Viton	Urethane		EPDM
Black	White		Black	White	
B	WB	V	U	WU	E
-40°F	-40°F	-40°F	-40°F	-40°F	-40°F
+200°F	+200°F	+200°F	+200°F	+200°F	+200°F

NOTE: Temperature ranges based on published information and may vary due to actual operating conditions.

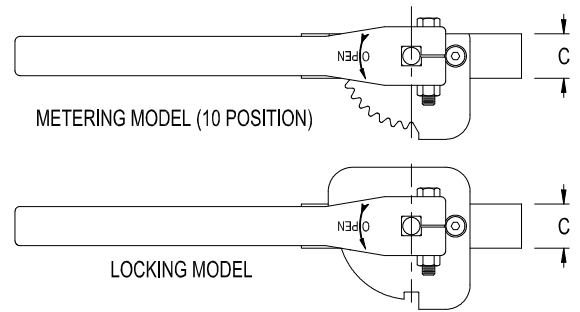
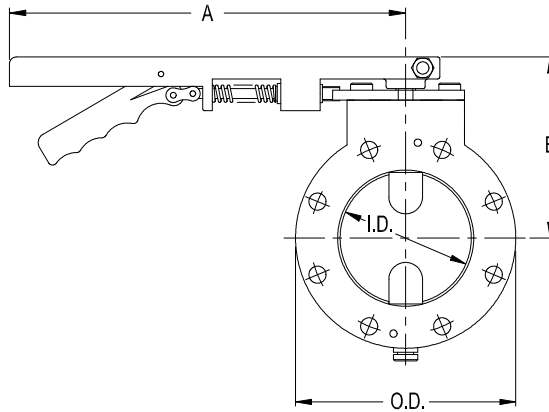
## INSTALLATION:

The Wet-R-Dri Valve may be mounted in any position with handle located for easy operation. Valve, as assembled, opens by turning handle 1/4 turn counter clockwise (right hand operation). If clockwise rotation is desired (left hand operation) please specify. Care should be taken when mounting valve to be sure the I.D. of adjoining flanges or pipe is large enough to allow disc of valve to open freely. We suggest using our accompanying flanges and adapters shown in Section 20, Page 5A.

# Wet-R-Dri VALVE

TTMA STYLE

**LIGHTWEIGHT**  
**COMPACT**  
**VERSATILE**



The Betts Wet-R-Dri Valve is designed for handling liquid, gaseous or dry products, and is available in a variety of sizes and models. This space saving valve is lightweight, easily maintained, and has a positive stop in the open and closed position. The Locking model has a 2 notch indexing plate which locks disc in the open or closed positions. The Metering model has a 10 notch indexing plate which allows disc to be positioned in 10 various positions.

Size	Locking Model Assembly No.	Wt.	Metering Model Assembly No.	Wt.	Standard Material		Max. Working Pressure	Temperature Range
					Body	Disc		
2"	WD202 AL B	3.3	WD204 AL B	3.1	Aluminum	Buna-N	75 PSI	See Chart Below
	WD202 GI B	5.5	WD204 GI B	5.3	Grey Iron			
3"	WD302 AL B	4.5	WD304 AL B	4.3	Aluminum	Buna-N	75 PSI	
	WD302 GI B	7.8	WD304 GI B	7.6	Grey Iron			
4"	WD402 AL V	5.4	WD404 AL V	5.2	Aluminum	Viton	75 PSI	
	WD402 GI V	9.2	WD404 GI V	9.0	Grey Iron			
5"	WD502 AL V	8.8	WD504 AL V	8.6	Aluminum	Viton	50 PSI	
6"	WD602 AL U	12.4	WD604 AL U	12.2	Aluminum	Urethane	50 PSI	
8"	WD802 AL U	17.9	WD804 AL U	17.7	Aluminum	Urethane	50 PSI	

NOTES: Standard drilling fits TTMA recommended standards.

Valves are available with the following options: Stainless steel liners and shafts, grease fittings installed in the drive and bearing shafts, and "E" Coating of aluminum valves (recommended for aluminum valves used in water service). For repair kit, see Section 20, Page 5B.

Dimensions

Size	A	B	C	I.D.	O.D.	B.C.	Holes
2"	10 <sup>1</sup> / <sub>8</sub>	4 <sup>1</sup> / <sub>4</sub>	1 <sup>1</sup> / <sub>8</sub>	2 <sup>1</sup> / <sub>4</sub>	3 <sup>3</sup> / <sub>4</sub>	3 <sup>3</sup> / <sub>4</sub>	6 <sup>-7</sup> / <sub>16</sub>
3"	10 <sup>1</sup> / <sub>8</sub>	4 <sup>5</sup> / <sub>8</sub>	1 <sup>1</sup> / <sub>8</sub>	3 <sup>3</sup> / <sub>8</sub>	5 <sup>5</sup> / <sub>8</sub>	4 <sup>7</sup> / <sub>8</sub>	8 <sup>-7</sup> / <sub>16</sub>
4"	10 <sup>1</sup> / <sub>8</sub>	5 <sup>1</sup> / <sub>8</sub>	1 <sup>1</sup> / <sub>8</sub>	4 <sup>3</sup> / <sub>8</sub>	6 <sup>5</sup> / <sub>8</sub>	5 <sup>7</sup> / <sub>8</sub>	8 <sup>-7</sup> / <sub>16</sub>
5"	10 <sup>1</sup> / <sub>8</sub>	6 <sup>3</sup> / <sub>8</sub>	2 <sup>1</sup> / <sub>8</sub>	5 <sup>7</sup> / <sub>16</sub>	7 <sup>5</sup> / <sub>8</sub>	7	12 <sup>-7</sup> / <sub>16</sub>
6"	12	7	2 <sup>1</sup> / <sub>8</sub>	6 <sup>1</sup> / <sub>8</sub>	8 <sup>5</sup> / <sub>8</sub>	8 <sup>1</sup> / <sub>8</sub>	12 <sup>-7</sup> / <sub>16</sub>
8"	12	8	2 <sup>1</sup> / <sub>2</sub>	8	10 <sup>7</sup> / <sub>8</sub>	10 <sup>1</sup> / <sub>8</sub>	16 <sup>-7</sup> / <sub>16</sub>

Suffix for Disc Material

Buna-N		Viton	Urethane		EPDM
Black	White		Black	White	
B	WB	V	U	WU	E
-40°F	-40°F	-0°F	-40°F	-40°F	-50°F
+200°F	+200°F	+400°F	+200°F	+200°F	+300°F

NOTE: Temperature ranges based on published information and may vary due to actual operating conditions.

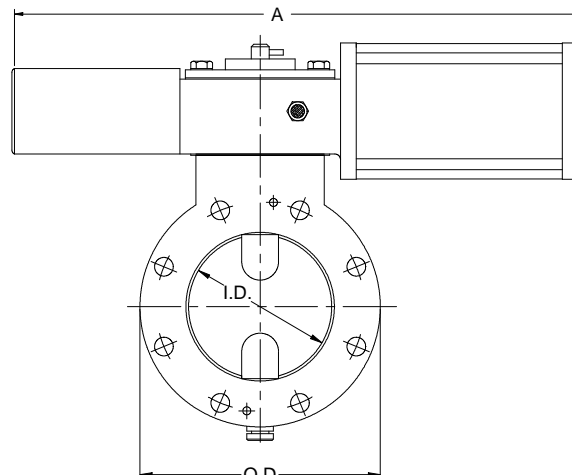
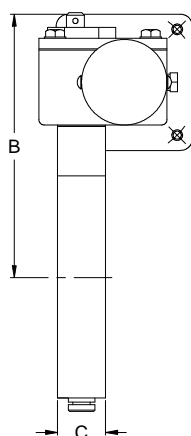
## INSTALLATION:

The Wet-R-Dri Valve may be mounted in any position with handle located for easy operation. Valve, as assembled, opens by turning handle 1/4 turn counter clockwise (right hand operation). If clockwise rotation is desired (left hand operation) please specify. Care should be taken when mounting valve to be sure the I.D. of adjoining flanges or pipe is large enough to allow disc of valve to open freely. We suggest using our accompanying flanges and adapters shown in Section 20, Page 5A.

# Wet-R-Dri VALVE

TTMA STYLE

**LIGHTWEIGHT**  
**COMPACT**  
**VERSATILE**



The Betts Wet-R-Dri Valve is designed for handling liquid, gaseous or dry products, and is available in a variety of sizes and models. This space saving valve is lightweight, easily maintained, and has a positive stop in the open and closed position. The air operated valve is opened and closed by air. The air-spring operated valve can be sold as either an air to open, spring return valve or as an air to close spring to open valve. Please specify.

Size	Air Actuated Model	Wt.	Air-Spring Model	Wt.	Standard Material		Max. Working Pressure	Temperature Range
	Assembly No.		Assembly No.		Body	Disc		
2"	WD217 AL B	5.9	WD219 AL B	6.4	Aluminum	Buna-N	75 PSI	See Chart Below
	WD217 GI B	8.1	WD219 GI B	8.6	Grey Iron			
3"	WD317 AL B	7.1	WD319 AL B	7.6	Aluminum	Buna-N	75 PSI	
	WD317 GI B	10.4	WD319 GI B	10.9	Grey Iron			
4"	WD417 AL V	8.0	WD419 AL V	8.5	Aluminum	Viton	75 PSI	
	WD417 GI V	11.8	WD419 GI V	12.3	Grey Iron			
5"	WD517 AL V	11.4	WD519 AL V	11.9	Aluminum	Viton	50 PSI	
6"	WD617 AL U	15.3	WD619 AL U	15.8	Aluminum	Urethane	50 PSI	
8"	WD817 AL U	20.8	WD819 AL U	21.3	Aluminum	Urethane	50 PSI	

NOTES: Standard drilling fits TTMA recommended standards.  
Valves are available with the following options: Stainless steel liners and shafts, and "E" Coating of aluminum valves (recommended for aluminum valves used in water service).  
For repair kit, see Section 20, Page 5B.

Dimensions

Size	A	B	C	I.D.	O.D.	B.C.	Holes
2"	13 <sup>5</sup> / <sub>16</sub>	5 <sup>13</sup> / <sub>16</sub>	1 <sup>1</sup> / <sub>8</sub>	2 <sup>1</sup> / <sub>4</sub>	3 <sup>3</sup> / <sub>4</sub>	3 <sup>3</sup> / <sub>4</sub>	6 <sup>-7</sup> / <sub>16</sub>
3"	13 <sup>5</sup> / <sub>16</sub>	6 <sup>5</sup> / <sub>32</sub>	1 <sup>1</sup> / <sub>8</sub>	3 <sup>3</sup> / <sub>8</sub>	5 <sup>5</sup> / <sub>8</sub>	4 <sup>1</sup> / <sub>8</sub>	8 <sup>-7</sup> / <sub>16</sub>
4"	13 <sup>5</sup> / <sub>16</sub>	6 <sup>11</sup> / <sub>16</sub>	1 <sup>1</sup> / <sub>8</sub>	4 <sup>3</sup> / <sub>8</sub>	6 <sup>5</sup> / <sub>8</sub>	5 <sup>7</sup> / <sub>8</sub>	8 <sup>-7</sup> / <sub>16</sub>
5"	13 <sup>5</sup> / <sub>16</sub>	7 <sup>7</sup> / <sub>8</sub>	2 <sup>1</sup> / <sub>8</sub>	5 <sup>7</sup> / <sub>16</sub>	7 <sup>5</sup> / <sub>8</sub>	7	12 <sup>-7</sup> / <sub>16</sub>
6"	13 <sup>5</sup> / <sub>16</sub>	8 <sup>7</sup> / <sub>16</sub>	2 <sup>1</sup> / <sub>8</sub>	6 <sup>1</sup> / <sub>8</sub>	8 <sup>5</sup> / <sub>8</sub>	8 <sup>1</sup> / <sub>8</sub>	12 <sup>-7</sup> / <sub>16</sub>
8"	13 <sup>5</sup> / <sub>16</sub>	9 <sup>3</sup> / <sub>8</sub>	2 <sup>1</sup> / <sub>2</sub>	8	10 <sup>7</sup> / <sub>8</sub>	10 <sup>1</sup> / <sub>8</sub>	16 <sup>-7</sup> / <sub>16</sub>

Suffix for Disc Material

Buna-N		Viton	Urethane		EPDM
Black	White		Black	White	
B	WB	V	U	WU	E
-40°F	-40°F	-0°F	-40°F	-40°F	-50°F
+200°F	+200°F	+400°F	+200°F	+200°F	+300°F

NOTE: Temperature ranges based on published information and may vary due to actual operating conditions.

**INSTALLATION:**

The Wet-R-Dri Valve may be mounted in any position.  
Care should be taken when mounting valve to be sure the I.D. of adjoining flanges or pipe is large enough to allow disc of valve to open freely. We suggest using our accompanying flanges and adapters shown in Section 20, Page 5A.